

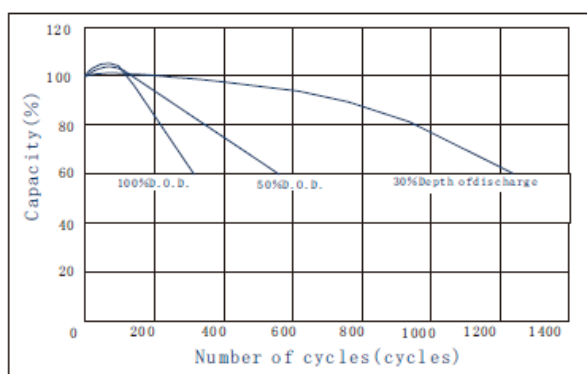
## AGM31 12V 120Ah



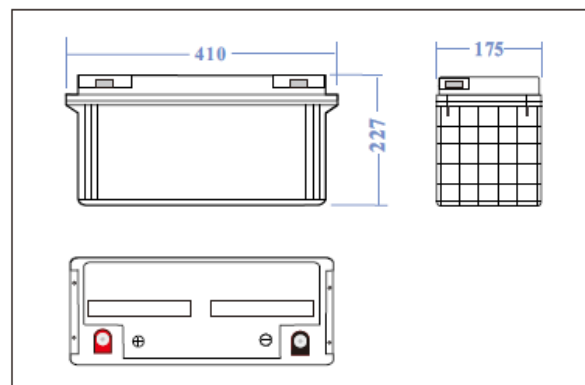
### Electrical Specification

Capacity 25°C (77° F)	10hour rate (12.0A) 5 hour rate (19.2A) 1 hour rate (66.0A)	120Ah 96.0Ah 66.0Ah
Capacity Affected by Temperature (20hour rate)	40°C (104° F) 25°C ( 77° F) 0°C ( 32° F) -15°C ( 5° F)	102% 100% 85% 65%
Internal Resistance	Full charged battery 77° F (25°C)	5mΩ
self-Discharge at 25°C (77° F)	Capacity after 3month storage Capacity after 6month storage Capacity after 12 month storage	91% 82% 64%
Charge (constant Voltage)	Cycle Initial Charging Current less than 30A Voltage 14.40-14.90V	
	Float Voltage 13.50-13.80V	

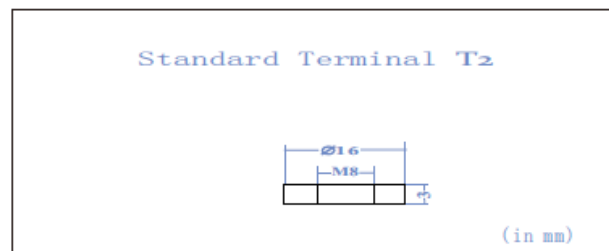
### Cycle service life in relation to depth of discharge



### Dimensions (mm)



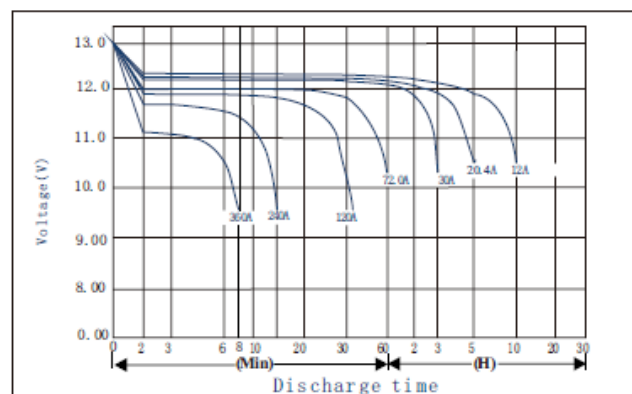
### Terminal Type



### Physical specification

Nominal Voltage	12V	
Nominal Capacity (10HR)	120AH	
Dimensions	Length	410±1mm (16.14inches)
	Width	175±1mm (6.88inches)
	Container Height	227±2mm (8.93inches)
	Total height	227±2mm (8.93inches)
Weight		Approx 33.5kg (73.7lbs)
Standard Terminal		T2

### Discharge Characteristics after fully charged (25°C, 77°F)



### Constant Current (Amp) and Constant Power (watt) Discharge Table at 25°C, (77°F)

MODEL	VOLTAGE:		CAPACITY: 120									
time	10min	15min	30min	1h	2h	3h	4h	5h	8h	10h	20h	
9.60V	A	257	200	121.2	75.1	44.3	30.8	25.1	21.4	14.6	12.2	6.4
	W	2745	2190	1351	852	511	360	294	252	173	144.7	76.7
9.90V	A	250	196	118.8	74.0	44.0	30.7	25.0	21.2	14.6	12.2	6.4
	W	2678	2146	1329	842	508	359	294	251	173	145.2	76.6
10.20V	A	239	188	115.2	72.1	43.7	30.5	24.7	21.1	14.5	12.1	6.4
	W	2572	2074	1294	823	505	357	291	250	172	144.0	76.5
10.50V	A	229	182	112.4	70.7	43.1	30.2	24.6	21.0	14.4	12.1	6.3
	W	2475	2016	1267	809	500	354	290	249	171	144.0	76.1
10.80V	A	216	173	108.4	68.5	42.0	29.4	23.9	20.4	13.9	12.0	6.3
	W	2339	1916	1226	787	488	345	283	242	166	142.8	75.6